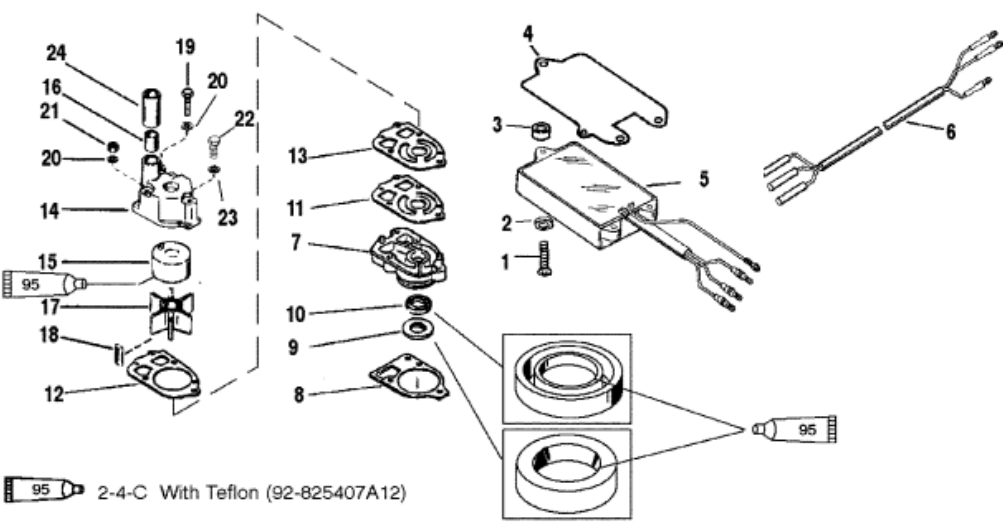


Parts List



Ref	Class	Part	Description	Qty	Comment	Footnote
1	10	88447	SCREW (.190-32 X 1.62)	3		
2	12	38833	WASHER	3		
3	23	94304	BUSHING	3		
4		13381	PLATE	1		
5		821889A30	REV LIMITER	1		
6	84	823147A 5	HARNESS-ADAPTOR-REV LIMITE	1		
7	46	42579A 3	WATER PUMP BASE ASSEMBLY	1		
8	27	42631 1	GASKET	1		4,8,9
9	26	89238	OIL SEAL	1		9
10	26	16977	OIL SEAL	1		9
11	27	85608 1	GASKET-LOWER	1		4,8,9
12	27	85609 1	GASKET-UPPER	1		4,8,9
13		32435	FACE PLATE	1		8
14	46	96148A 1	WATER PUMP BODY ASSEMBLY	1		8
15		48752T	INSERT	1		8
16	26	38970	SEAL-RUBBER	1		4,8,9
17	47	89984 3	LMPELLER	1		8
18	28	56654	KEY	1		8
19	10	96411	SCREW (2-1/4 IN.)	1		8
20	12	29245	WASHER	2		
21	11	13438	NUT	2		
22	10	19924275	SCREW (.312-18 X 2-3/4)	1		
23	12	36001	WASHER	1		
24	23	29804	SLEEVE	1		8
-	27	815791A92	ENGINE GASKET SET	1		
-	46	96148A 5	WATER PUMP REPAIR KIT	1		
-	26	89238A 2	G/H SEAL KIT	1		